

1 2 3 4 5

A

B

C

D

E

F

G

A

B

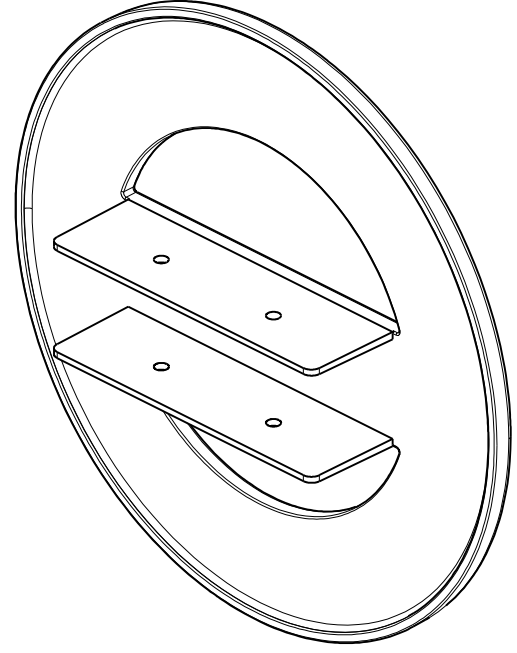
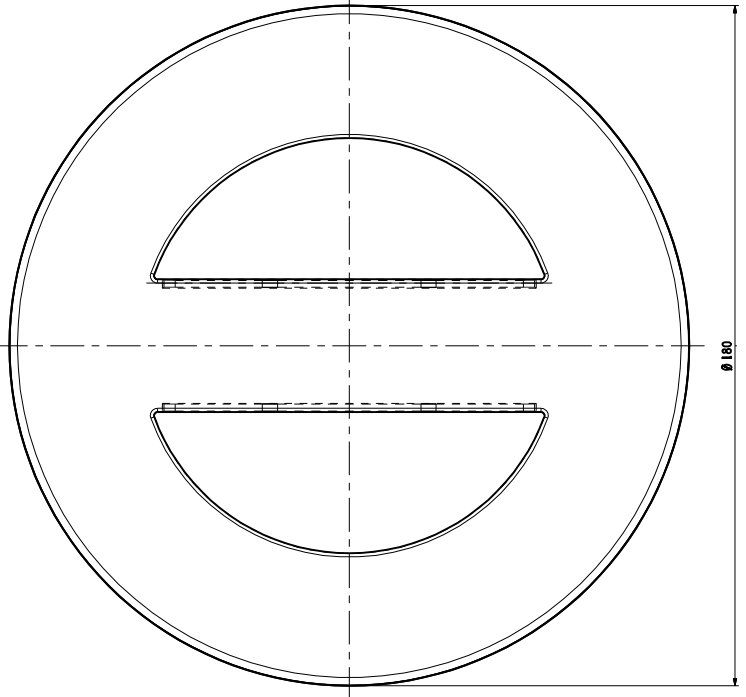
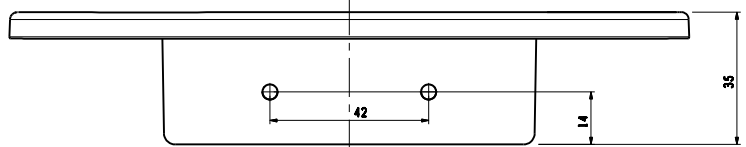
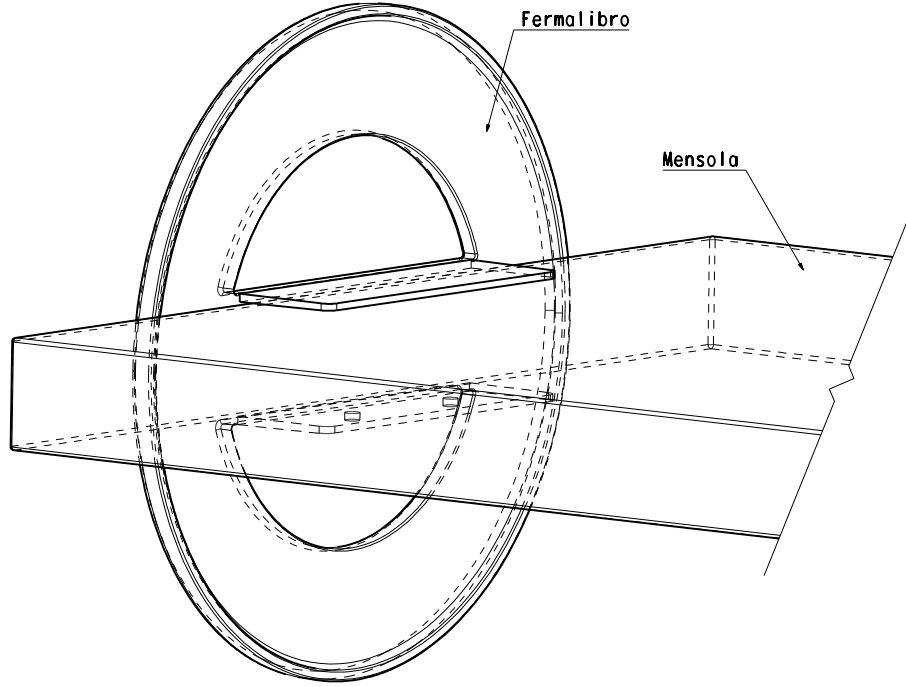
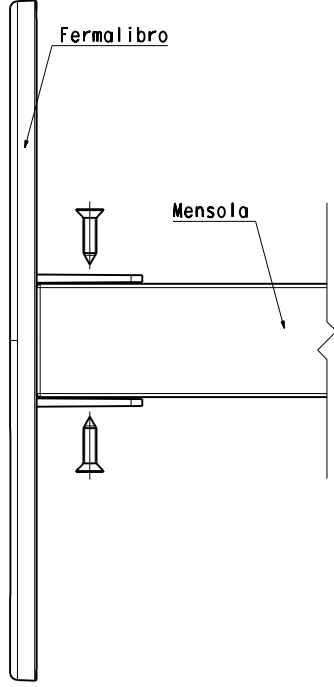
C

D


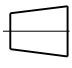

E

F

G



MATERIAL: ABS

REV	POSITION	DESCRIPTION	DATE	NAME			
		 	UNIT mm	TYPE DRAFT DRAWING	CREATED BY ****	FORMAT A4	REVISION ***
ART. 0964		FILENAME ****	CREATION DATE ****	SCALE 1 : 2	SHEET 1 / 1	PART CODE ****	
PROJECT NAME ****		CLIENT ****	TOOL CODE ****	CHECKED BY ****	CHECKED_DATE ****	SHEET ****	

1 2 3 4 5